

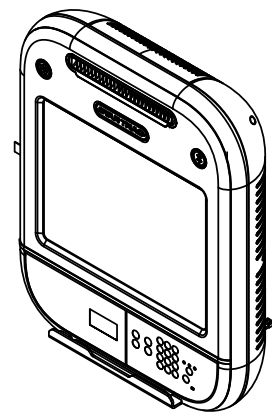
NOTES:

1. USE NON MARKING, LOW TACK, CLEAR TAPE TO HOLD BACK PLASTIC
2. CLEAN MATING SURFACE WITH DENATURED ALCOHOL PRIOR TO ADHERING
3. APPLY 13-17 lb-in/ 1.5-1.9 NM TORQUE
4. APPLY 8-12 lb-in/ 0.9-1.4 NM TORQUE
5. APPLY PRESSURE FOR AT LEAST 5 SEC FOR ADHESIVE TO ADHERE TO PLASTIC SHROUD WHEN HR BOARD IS MOUNTED
6. COLOR DESIGNATOR PER -XX AS SPECIFIED IN PARENT SKU, -XX COLOR PER SOP 622-200-112
7. FLASH MODULE TO BE PROGRAMMED WITH THE LATEST VERSION OF SOFTWARE (621-0066-PRG)
8. SEE 620-8519 FOR CABLE ROUTING

(F)

REVISION HISTORY

REV	DATE	DESCRIPTION	ECO	BY
A	2/24/2015	PRODUCTION RELEASE	14878	SS
B	9/18/2015	REMOVE: 701-0057 (1), 701-0058 (1), 715-3782 (1), 715-3803 (1); ADD: 110-3176 (2), 701-0136 (1), 701-0137 (1); QTY CHANGE: 110-3163 (IS 12, WAS 14)	15131	MMG
C	1/20/2016	REMOVE: 020-7434-XX (1), 110-3148 (2); ADD: 701-0182-XX (1), 715-3834 (1)	15211	MMG
D	6/21/2016	REMOVE: 110-3638 (7); ADD: 110-3736 (7); UPDATE NOTE 6	15255	MMG
E	8/22/2016	REPLACE 110-3163 (12) WITH 110-3758 (12); REPLACE 020-7509-XX (1) WITH 701-0214-XX (1)	15463	MMG
F	1/17/2017	ADDED: 701-0257 (1), 701-0253 (1), 701-0282 (1), 701-0283 (1), 701-0260 (1), 701-0275 (1), 701-0277 (1), 701-0256 (1), 701-0241 (1), 140-3639 (4), 110-3161 (1), 701-0254 (1), 701-0261 (1), 711-3489 (1) & NOTE #8 REMOVED: 220-0295, 701-0077, 701-0136, 701-0137, 701-0164, 715-3676, 715-3772, 715-3805, 718-5196, 715-3946, 701-0049 CHANGE: 140-0210 (QTY IS 7, WAS 4)	15622	ZDH



ITEM NO.	PART NUMBER	DESCRIPTION	QTY.	NOTES
1	020-7435-XX	PLASTIC, DISPLAY. REAR, UPPER COVER, BCS	1	
2	020-7440-XX	BRACKET, MAG RACK	1	
3	020-7445-XX	PLASTIC, DISPLAY, FAN VENT	1	
4	050-2368	LABEL, BCS, START/STOP	1	
5	110-3176	SCREW, M3X6,PHM,PH,CS,ZI	2	
6	110-3229	Screw, M3x0.5, 10mm, PHM, PH, CS, ZI	2	
7	110-3402	SCREW, #8-18, 3/4", HI-LOW, PHT, PH, CS, BO	17	REF
8	110-3631	STANDOFF, M3, 10mm x 6mm, 18-8 STAINLESS	2	
9	110-3736	SCREW, #8-18, 1", HI-LOW, PHT, PH, CS, BZ	7	
10	110-3758	SCREW, M3x0.5, 8mm, PHM, PH, CS, ZP	12	
11	120-3307	WASHER, M4, 4.3mm I.D. X 12mm O.D., ISO 7089	7	
12	140-0210	TIE STRAP, 3.5"	7	
13	140-3467	FOAM, ADHESIVE, 202.5mm x 1/8" THICK	2	
14	140-3468	FOAM, ADHESIVE, 308.25mm 1/8" THICK	2	
15	240-6918	CONNECTOR, 8-PIN, 90-DEG	2	
16	701-0013	ASSY, PCB, Fan- LED	1	
17	701-0023	ASSY, PCB, RUBBER, BLUETOOTH	1	
18	701-0027	ASSY, FAN ASSEMBLY	1	
19	701-0031	ASSY, PCB, RUBBER, FAN	1	

(F)

ITEM NO.	PART NUMBER	DESCRIPTION	QTY.	NOTES
20	701-0060	ASSY, ENTERTAINMENT INSERT, EMBEDD	1	
21	701-0066	ASSY, WAHOO BLE	1	
22	701-0118	ASSY, 15", TOUCH SC W/CHR, GD3, ISDB-T, SBTVD-T, DMB-T/H	1	
23	701-0182-XX	KIT, REAR PLASTIC & DECAL, BCS, GD3, STAR TRAC	1	
24	701-0214-XX	PLASTIC, DISPLAY, LCD, DECORATIVE, EMBD, BCS, ST, W/ INSERTS	1	
25	715-3834	CABLE, 3.5mm PHONE PATCH	1	
26	715-3864	ASSY, WIRELESS HR, POLAR, 92cm L.R.	1	
27	701-0241	ASSY, CABLE, FAN-BLE KEY, TREAD	1	
28	701-0275	CABLE, DIGITAL INTERFACE	1	
29	701-0277	ASSY, CABLE, WIRELESS HR	1	
30	701-0260	HARNESS, DISPLAY GND STRAP, PRO	1	
31	701-0282	ASSY, CABLE, GROUNDING, LEFT KEYPADS, BCS, EMB	1	
32	701-0283	ASSY, CABLE, GROUNDING, RIGHT KEYPADS, BCS, EMB	1	
33	701-0257	CABLE, CSAFE, EMBEDDED	1	
34	701-0256	CABLE, POWER, MYE RECEIVER, EMBEDDED	1	
35	140-3639	TIE STRAP, FASTENER MOUNTING	4	
36	701-0253	ASSY, CABLE, EMBEDDED FAN LED-KEY	1	
37	110-3161	SCREW, M3X12, PHM, PH, CS, ZI	1	
38	701-0254	ASSY, CABLE, POWER EXT, EMBEDDED	1	
39	701-0261	ASSY, CABLE, MAIN INTERFACE, BCS EMBEDDED	1	
40	711-3489	ASSY, CABLE, ADAPTER, SM	1	

(F)

(F)

(F)

(F)

(F)

(F)

(F)

(F)

(F)

(F)

(F)

(F)

(F)

(F)

(F)

DOCUMENT STATUS:

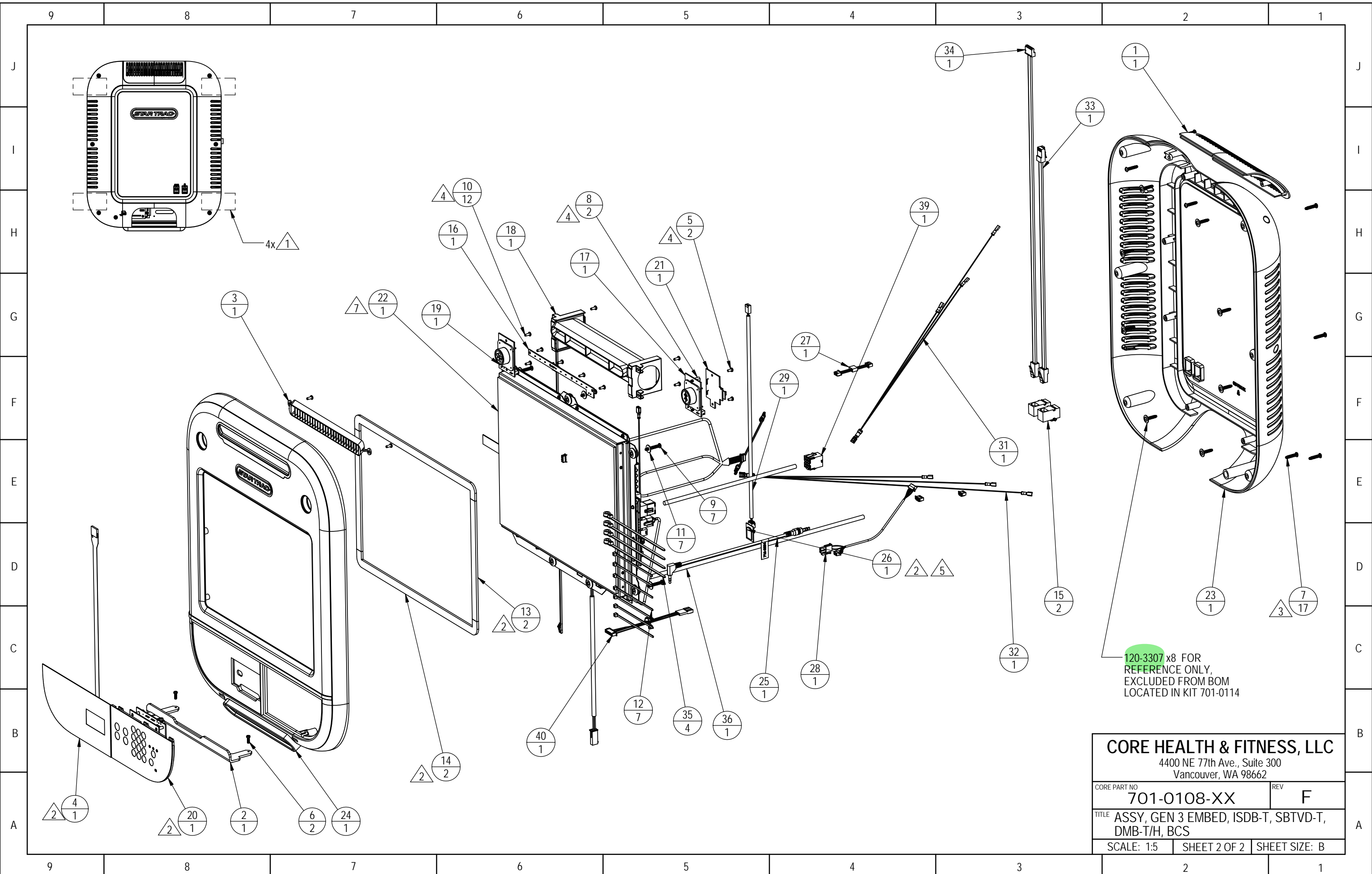
NOTICE OF PROPRIETARY INFORMATION

THIS DOCUMENT SHALL NOT BE REPRODUCED NOR SHALL THE INFORMATION CONTAINED HEREIN BE USED BY OR DISCLOSED TO OTHER EXCEPT AS EXPRESSLY AUTHORIZED BY CORE HEALTH & FITNESS, LLC.

CLASS OF WORK	UNLESS OTHERWISE SPECIFIED DIMS ARE IN mm. TOLERANCES FOR MEASURE OF LENGTH ARE:								MATERIAL SEE BOM
	0.5 to 3	> 3 to 6	> 6 to 30	> 30 to 120	> 120 to 400	> 400 to 1000	> 1000 to 2000	> 2000	
FINE	±0.05	±0.05	±0.1	±0.15	±0.2	±0.3	±0.5	----	FINISH N/A
MEDIUM	±0.1	±0.1	±0.2	±0.3	±0.5	±0.8	±1.2	±2	
COARSE	±0.2	±0.3	±0.5	±0.8	±1.2	±2	±3	±4	
VERY COARSE	----	±0.5	±1	±1.5	±2.5	±4	±6	±8	

THIRD ANGLE PROJECTION		CORE HEALTH & FITNESS, LLC	
		4400 NE 77th Ave., Suite 300 Vancouver, WA 98662	
DRAWN	INITIAL SS	DATE 2/24/15	CORE PART NO 701-0108-XX
CHECKED			REV F
APPROVED			TITLE ASSY, GEN 3 EMBED, ISDB-T, SBTVD-T, DMB-T/H, BCS
VENDOR: N/A		P/N: N/A	
U.O.M.		MM	SCALE: 1:10
		SHEET 1 OF 2	
		SHEET SIZE: B	

THIRD ANGLE PROJECTION		CORE HEALTH & FITNESS, LLC	
		4400 NE 77th Ave., Suite 300 Vancouver, WA 98662	
DRAWN	INITIAL SS	DATE 2/24/15	CORE PART NO 701-0108-XX
CHECKED			REV F
APPROVED			TITLE ASSY, GEN 3 EMBED, ISDB-T, SBTVD-T, DMB-T/H, BCS
VENDOR: N/A		P/N: N/A	
U.O.M.		MM	SCALE: 1:10
		SHEET 1 OF 2	
		SHEET SIZE: B	



120-3307 x8 FOR
 REFERENCE ONLY,
 EXCLUDED FROM BOM
 LOCATED IN KIT 701-0114

CORE HEALTH & FITNESS, LLC
 4400 NE 77th Ave., Suite 300
 Vancouver, WA 98662

CORE PART NO	701-0108-XX	REV	F
--------------	-------------	-----	---

TITLE	ASSY, GEN 3 EMBED, ISDB-T, SBTVD-T, DMB-T/H, BCS		
-------	--	--	--

SCALE: 1:5	SHEET 2 OF 2	SHEET SIZE: B
------------	--------------	---------------